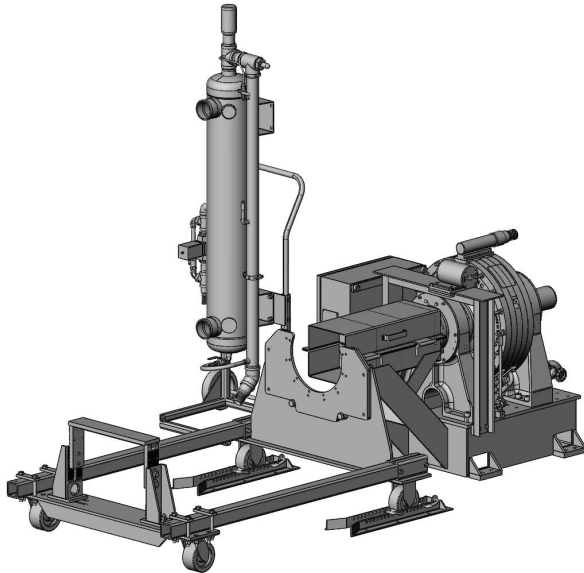


Engine Dynamometers - PTX System



PTX02 Engine Dynamometer System shown

Overview

Power Test PTX Systems offer a 50X-Series Water Brake Engine Dynamometers combined with all the essential accessories needed to begin engine testing. PTX Systems are available in 500HP (373kW) and 1,000HP (746kW) configurations and are designed for testing on-highway, military and construction applications from 50 HP to 1,000 HP at speeds up to 6,000 RPM.

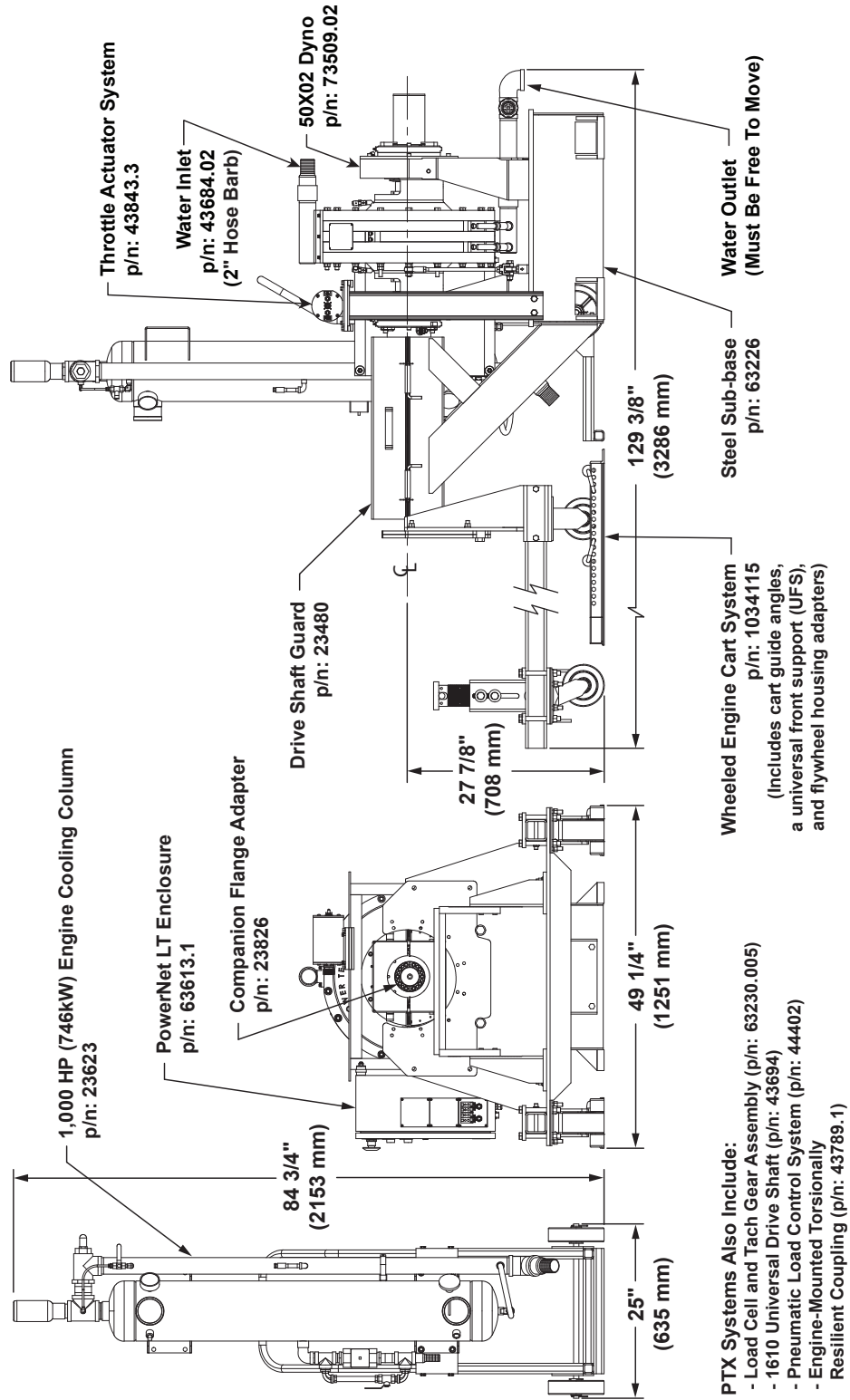
The PTX System Includes:

- Either a 50X01 500 HP (373kW) or 50X02 1,000 HP (746kW) Water Brake Dynamometer with inlet manifold assembly, companion flange adapter and load cell and tach gear assembly.
- PowerNet LT data acquisition and control package (see PowerNet LT sheet for more details).
- Fabricated steel sub-base.
- Drive shaft guard.
- 1,000 HP (746kW) engine cooling column.
- Wheeled engine cart with adapters.
- Throttle actuator system.
- Engine-mounted torsionally resilient coupling.
- Pneumatic load control system.
- SAE 1610 drive shaft.

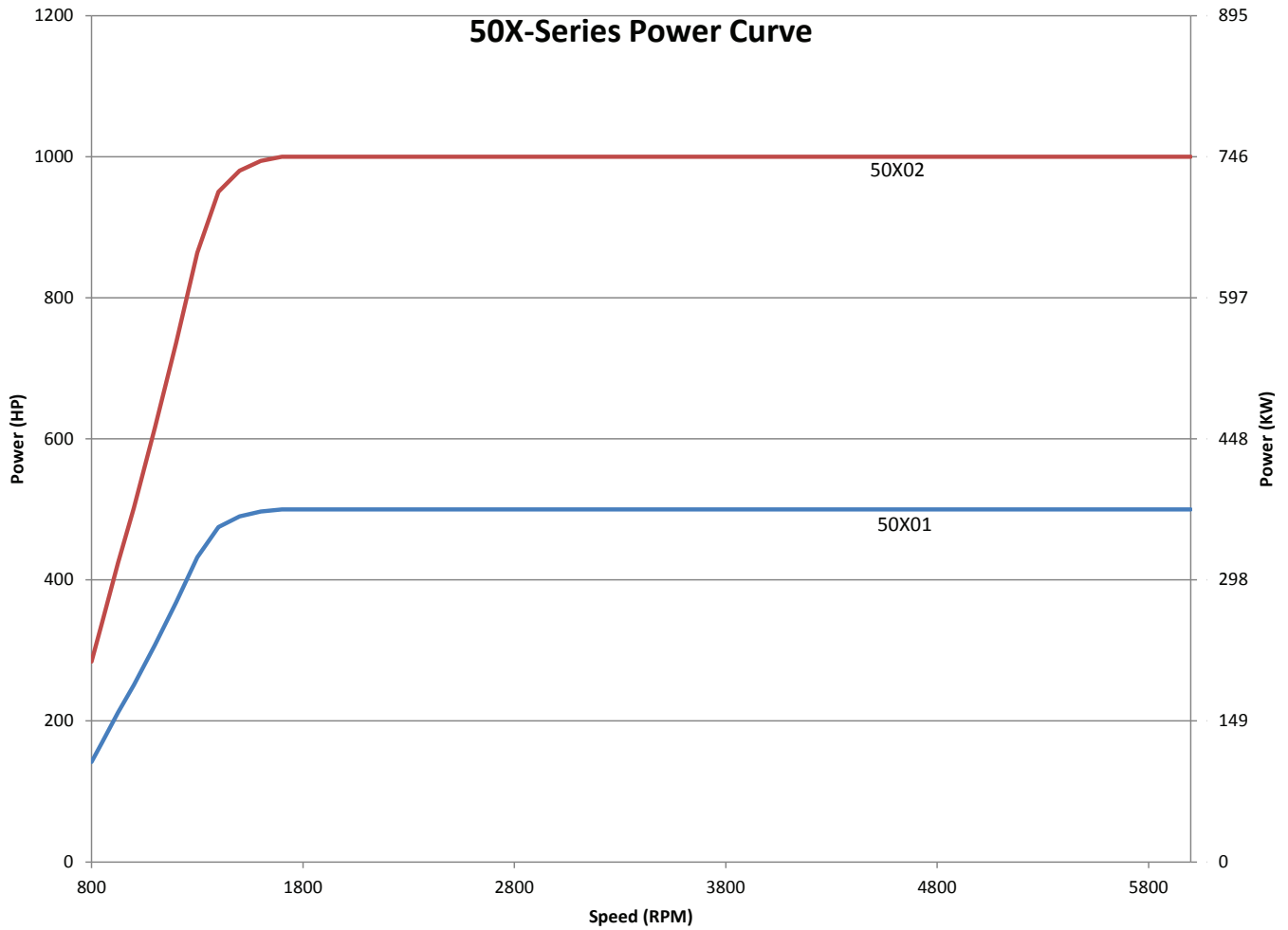
PTX systems may be used for continuous-duty engine power verification, quality assurance, endurance, and certification testing. With the PTX, accurate and reliable engine testing is easily performed. The base systems can be upgraded with a wide variety of options, including:

- Air Starting
- Engine Turbocharger Cooling
- Additional Torsional Coupling Choices
- ECM Interface and Electronic Throttle Control
- Fuel Measurement Option
- Add Additional Temperature, Pressure, Barometric, and Humidity Sensors.

Engine Dynamometers - PTX System



Engine Dynamometers - PTX System

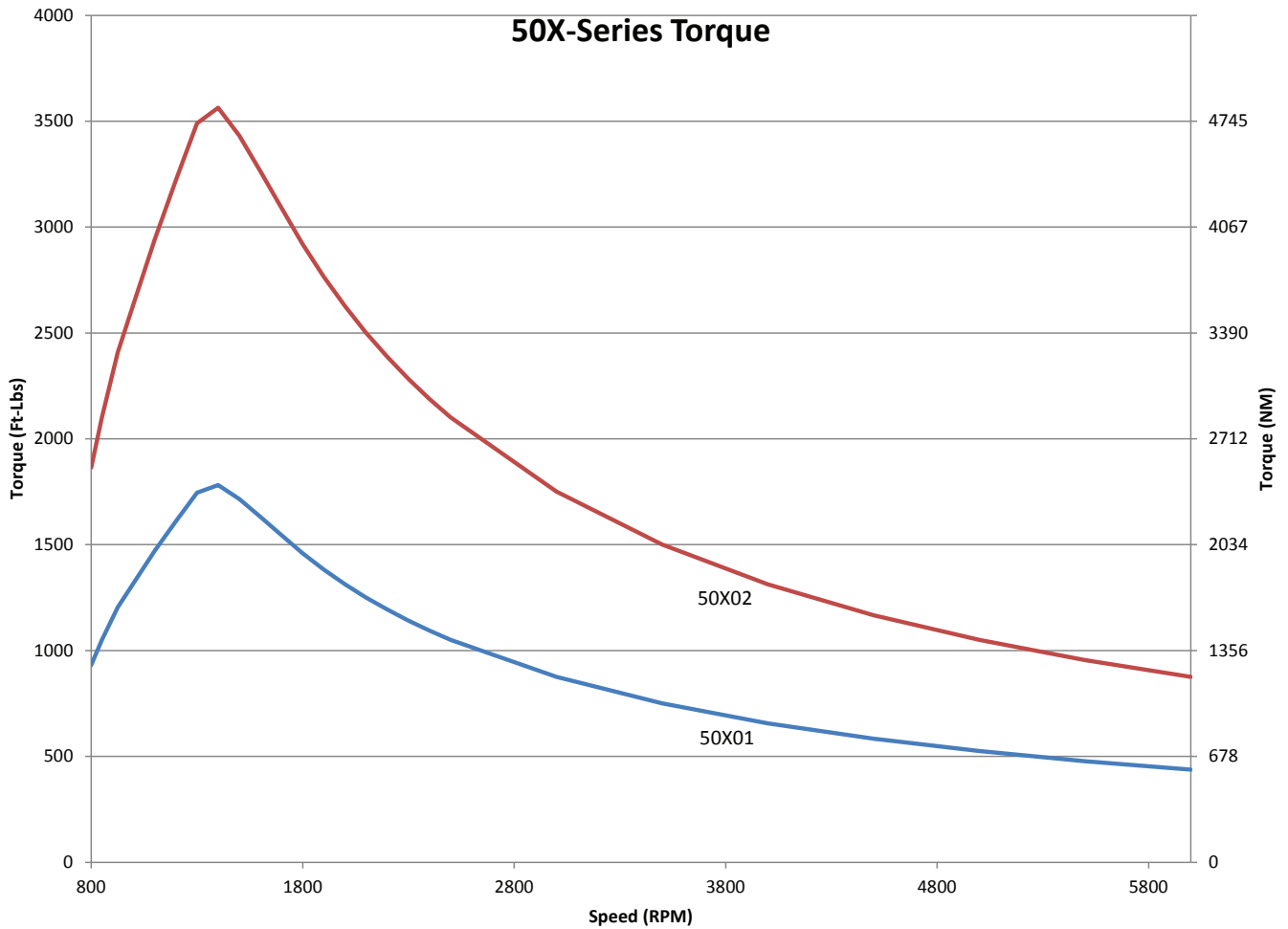


RPM	Power - HP (KW)		RPM	Power - HP (KW)	
	50X01	50X02		50X01	50X02
800	142 (106)	284 (212)	3,000	500 (373)	1,000 (746)
925	212 (158)	424 (316)	3,500	500 (373)	1,000 (746)
1,000	251 (187)	501 (374)	4,000	500 (373)	1,000 (746)
1,200	368 (274)	736 (549)	4,500	500 (373)	1,000 (746)
1,500	490 (365)	980 (731)	5,000	500 (373)	1,000 (746)
2,000	500 (373)	1,000 (746)	5,500	500 (373)	1,000 (746)
2,500	500 (373)	1,000 (746)	6,000	500 (373)	1,000 (746)



N60 W22700 Silver Spring Drive • Sussex, WI 53089 USA
 phone: (262) 252-4301 • fax: (262) 246-0436
www.powertestdyno.com

Engine Dynamometers - PTX System



RPM	Torque Lb-Ft (Nm)		RPM	Torque Lb-Ft (Nm)	
	50X01	50X02		50X01	50X02
800	932 (1,264)	1,864 (2,528)	3,000	875 (1,187)	1,751 (2,374)
925	1,204 (1,632)	2,407 (3,264)	3,500	750 (1,017)	1,501 (2,035)
1,000	1,318 (1,787)	2,637 (3,575)	4,000	657 (890)	1,313 (1,780)
1,200	1,611 (2,184)	3,221 (4,367)	4,500	584 (791)	1,167 (1,582)
1,500	1,716 (2,326)	3,431 (4,652)	5,000	525 (712)	1,050 (1,424)
2,000	1,313 (1,780)	2,626 (3,560)	5,500	477 (647)	955 (1,295)
2,500	1,050 (1,424)	2,101 (2,848)	6,000	438 (593)	875 (1,187)

Power Test, Inc. manufactures a wide range of standard and custom water brake engine dynamometers. For absorption characteristics other than the model shown, please contact your Power Test representative.



N60 W22700 Silver Spring Drive • Sussex, WI 53089 USA
 phone: (262) 252-4301 • fax: (262) 246-0436
www.powertestdyno.com