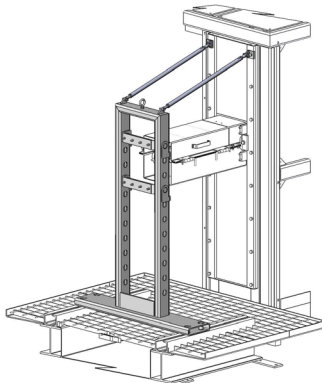
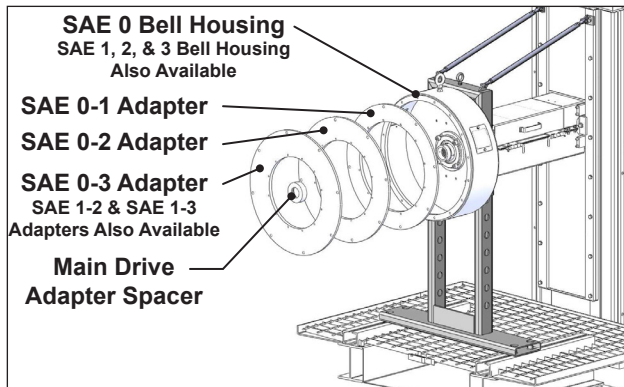


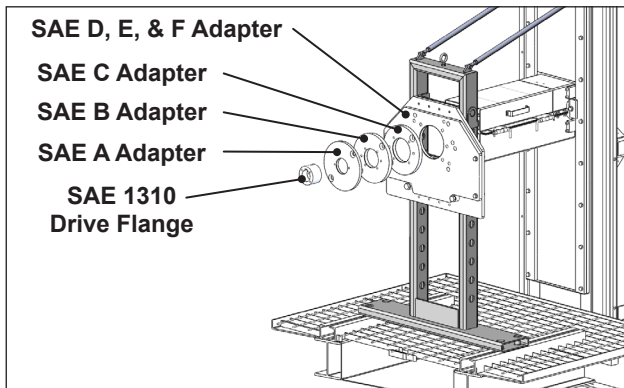
# Universal Housing Support (UHS) - 22K2330



22K2330 - Universal Housing Support shown



Optional SAE 0 Bell Housing Adapter and SAE 0 to SAE 1, SAE 0 to SAE 2, & SAE 0 to SAE 3 Adapter Rings shown with Universal Housing Support. (Adapters & Bell Housings sold separately)



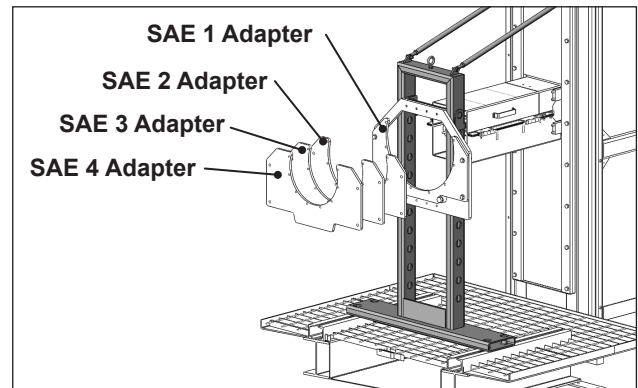
Optional SAE A, B, C, D-F Adapters shown with Universal Housing Support. (Adapters sold separately)

## Overview

AIDCO's Universal Housing Support is used to support, secure and connect various pumps, motors, and transmissions to the test stand.

### Universal Housing Support Kit:

- Adjustable center line height up to 42-7/16" (1205 mm).
- Can be used in conjunction with Bell Housing Assembly (*sold separately*) to allow various transmission models to be coupled and aligned to the test stand.
- Transmission Adapter Rings (*sold separately*) can be used to allow multiple transmission models to be coupled onto a single Bell Housing Assembly (*sold separately*).
- Can be used in conjunction with Pump and Motor Support Kit (*sold separately*) to support, secure and connect various pumps and motors to the test stand.



Optional SAE 1, 2, 3, & 4 Adapters shown with Universal Housing Support. (Adapters sold separately)

Description	Part #
Universal Housing Support Asm (UHS)	22K2330



N60 W22700 Silver Spring Drive • Sussex, WI 53089 USA  
 phone: (262) 252-4301 • fax: (262) 246-0436  
[www.pwrst.com](http://www.pwrst.com)