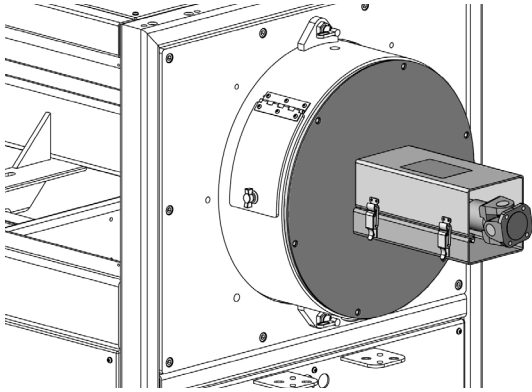


# Powershift Transmission Drive Kit - 22K2171



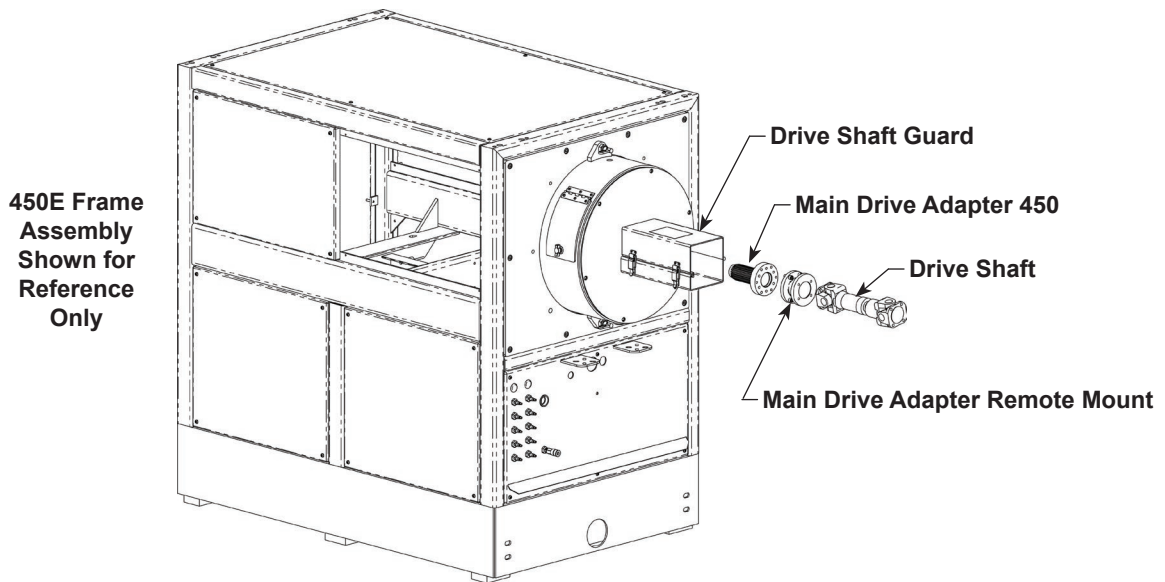
22K2171 - Drive Shaft Adapter Kit - Trans Input - 450 shown

## Overview

The Powershift Transmission Drive kit assembles all the necessary components to connect to the model 450E's main drive adapter. Kits include driveshaft, driveshaft guard, and main drive adapters.

## Powershift Transmission Drive Kit

- Driveshafts feature adjustable lengths to allow for varying lengths to the unit under test.
- Driveshaft guard features a hinged cover to allow access to the drive shaft.
- 450E main drive adapter facilitates quick coupling to machine.



Component Call Out On model 450E

## Description

Powershift Trans Drive Kit

## Part #

22K2171



N60 W22700 Silver Spring Drive • Sussex, WI 53089 USA  
phone: (262) 252-4301 • fax: (262) 246-0436  
www.powertestdyno.com