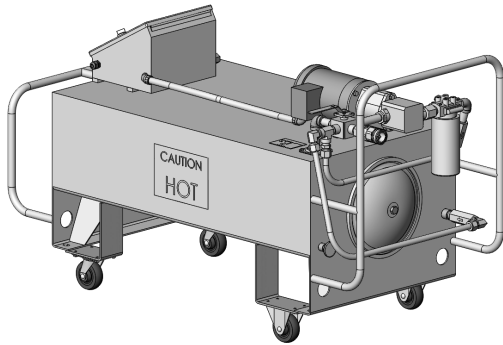


Oil Preheat and Supply Cart



DK0008 Oil Preheat and Supply Cart shown

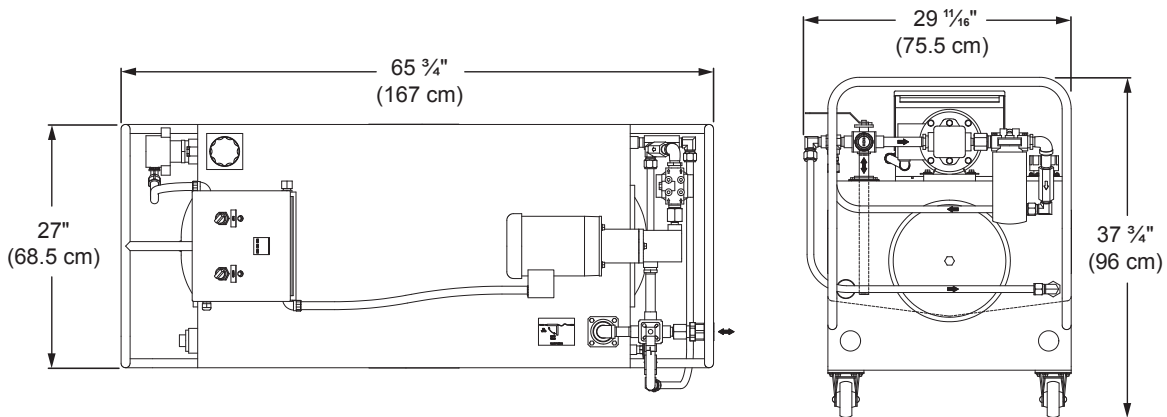
Overview

The Power Test Oil Preheat and Supply Cart provides a ready 60 gallon supply of filtered, preheated oil. Supply cart can be used to fill or drain oil from transmissions in the test cell.

Oil Preheat and Supply Cart:

- Rugged design for use in the test cell with direct access to controls.
- Easy to operate and maintain.
- Includes an 11 micron filter.
- Oil pumping rate is 3.3 GPM.

With its added mobility, the Oil Preheat and Supply Cart can be used in multiple test cells.



Description	Part #	Electrical Requirements		Empty Weight (lbs)
		Amperage (Amps)	Voltage	
Oil Preheat and Supply Cart	DK0008	30	480 VAC, 60 Hz, 3 Phase	522



N60 W22700 Silver Spring Drive • Sussex, WI 53089 USA
 phone: (262) 252-4301 • fax: (262) 246-0436
www.pwrst.com