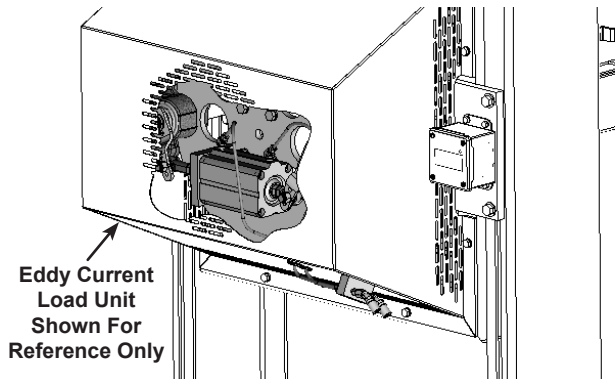


Stall Brake Add-On - 535604



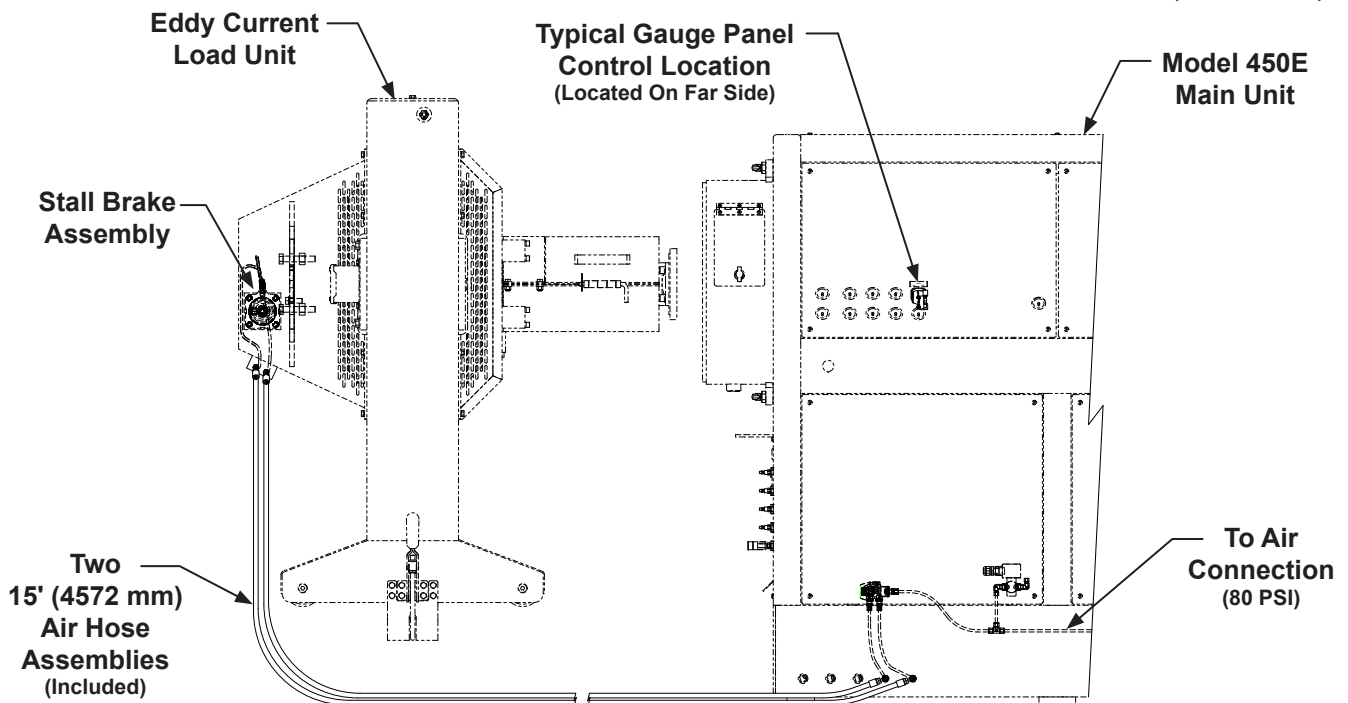
535604 - Stall Brake Kit Add-On For Eddy Current Load Units shown

Overview

The AIDCO Stall Brake Add-On uses an air actuated brake assembly installed into the Eddy Current Load Unit to stall the transmission output using straightforward controls.

Stall Brake Add-On:

- Allows for automated stall testing when used in conjunction with the PowerNet-TD Data Acquisition and Control system.
- Utilizes the required 80 PSI air supply on Model 450E's.
- Can be included with Eddy's on all AIDCO test stands.
- Provides a safer stall test operation by eliminating the installation of the manual stall bar.
- Max. Stall Torque:
 - w/ Stall Bar: 2,000 Lb-ft. (2,712 N-m)
 - w/ Air Brake: 3,000 Lb-ft. (4,067 N-m)



Description	Part #
Stall Brake Add-On - Air (Eddy Trolley)	535604



N60 W22700 Silver Spring Drive • Sussex, WI 53089 USA
 phone: (262) 252-4301 • fax: (262) 246-0436
www.pwrst.com