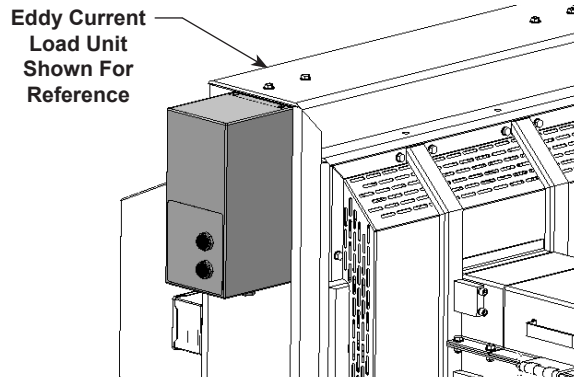


Eddy Lift Motor Kit - 535570



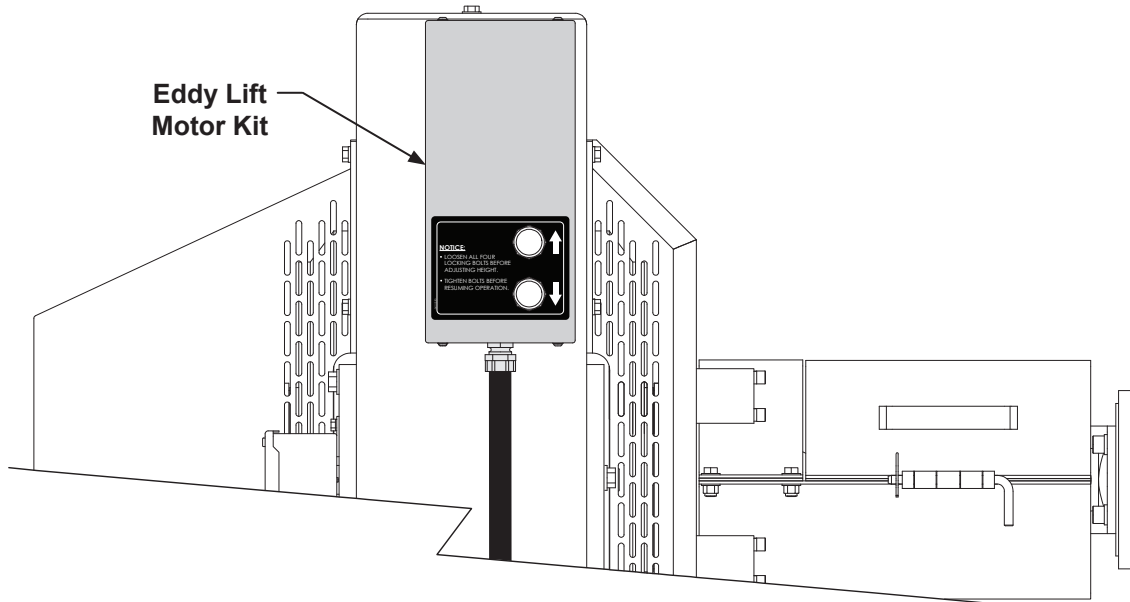
535570 - Eddy Lift Motor Kit Add-On For Eddy Load Units shown

Overview

The AIDCO Eddy Lift Motor Kit adds motorized vertical positioning to the Eddy Current Load Unit's trolley, saving time and energy by eliminating manual vertical positioning.

Eddy Current Load Unit:

- Motorized vertical maneuvering of load unit at the touch of a button.
- Straightforward operator controls.
- Utilizes power from the machine, no additional power is required.



Description	Part #
Eddy Lift Motor Kit	535570



N60 W22700 Silver Spring Drive • Sussex, WI 53089 USA
phone: (262) 252-4301 • fax: (262) 246-0436
www.pwrst.com