



**Model 700**  
**Hydraulic Component Test Stand**  
[www.powertestdyno.com](http://www.powertestdyno.com)

# Model 700 Hydraulic Component Test Stand

New from AIDCO and the innovative engineers at Power Test, is the Model 700 Hydraulic Component Test Stand (HCTS). Designed to test heavy-duty, off-highway, closed or open loop pumps, the 700 gives you the capacity to confidently and efficiently verify the quality of your work.

Test new or rebuilt pumps, motors, valves, and cylinders independently, and communicate their quality to your customers with the help of PowerNet TD, data acquisition software for transmission and hydraulic systems.



Testing hydraulic components can be a time consuming, inefficient task. Even more so if you have to design and build your own test bench. The testing experts at Power Test solve these issues with the clean, quiet, electric-driven Hydraulic Component Test Stand. The Model 700 HCTS is engineered to provide efficient continuous-duty pump performance verification, quality assurance, and component certification. With the Hydraulic Component Test Stand, Power Test has delivered a product to *Make Your Testing Easy.*

## CAPABLE OF TESTING:

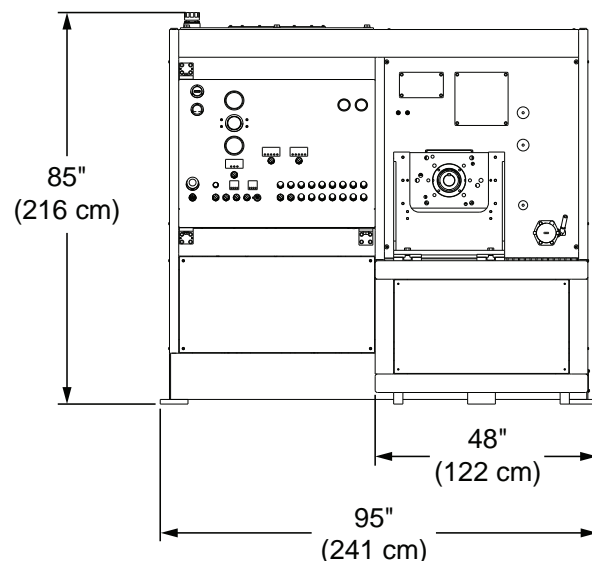
Gear Pumps	Motors
Vane Pumps	Hydraulic Cylinders
Hydrostatic Pumps	Hydraulic Valves

## FOR PARAMETERS:

Flow	Temperature	Input Torque
Pressure	Speed	Mechanical Efficiency
Load	Case Flow	Hydraulic Efficiency

## Features of the Model 700

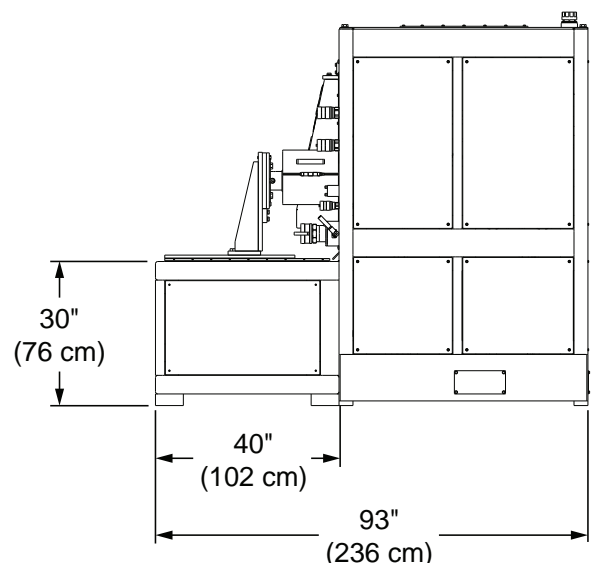
- Convenient work height with adjustable mounting track
- 100, 200 or 300 HP drive motor options available
- Variable Frequency Drive (VFD) controlled drive motor
- 200 gallon (757 L) high-mount hydraulic oil reservoir for flooded pump supply
- Combined kidney filtration and cooling loop for continuous cleaning
- Thermostatically controlled cooler and 7 kW reservoir immersion heater
- Two (2) external auxiliary pressure taps
- Multiple electronic or hydraulic pump control options available
- Optional: PWM (Pulse Width Modulation) DC control signal available
- Optional: Internal manifold rectifier block for testing closed loop pumps available



## Designed for Dedicated Hydraulic Rebuild Operations

While many AIDCO customers are familiar with the benefits of the 850 and 900 Series Hydraulic test centers, the purchase of transmission testing features were often unnecessary at dedicated hydraulic facilities. With the 700 HCTS, you can quickly, completely, and demonstrably, verify the quality of your hydraulic components, without paying for the additional capabilities of a larger system.

The Model 700 is flexible enough to accommodate your specific testing needs. Whether you're aiming for greater flexibility in closed loop systems, or have stringent safety requirements, the engineers at Power Test can meet your needs.



## Benefits of the Model 700

- Avoid the cost and distraction of engineering & installing your own hydraulic test system
- Removes the testing bottleneck in transmission hydraulic shops with dual purpose test stands
- Drive speed is controlled from a single potentiometer for simplified operator control
- Remotely located electrical control box allows for flexible facility design
- VFD allows for maximum control of flow, speed, and load
- Large hydraulic oil reservoir allows for stable oil conditions and minimizes aeration
- Kidney loop prevents the threat of contamination common in rebuild environments
- Oil preheating system allows for shorter test times
- Cleaner and quieter than engine and hydrostatic drive systems
- PowerNet TD available for automatic data acquisition and reporting without oil-covered paper logs

# Hydraulic Component Test Stand Specifications



Model 700 Hydraulic Component Test Stand Specifications		
Electric Motor Selections	Power Capability	Voltage Options
	100 HP	100HP (75 kW) 460V - *170 FLA 100HP (75 kW) 380V - *203 FLA
	200 HP	200HP (149 kW) 460V - *286 FLA 200HP (149 kW) 380V - *318 FLA
	300 HP	300HP (224 kW) 460V - *407 FLA 300HP (224 kW) 380V - *435 FLA
Loadable Flow Loop	Flow rates up to 100 GPM with pressures up to 6,000 PSI  <i>*Other flow rates available</i>	

**PowerNet TD Data Acquisition and Control System is available for all AIDCO Test Stands.**

## Data Acquisition and Control Systems

The Model 700 Hydraulic Component Test Stand can be purchased with the newest version of PowerNet TD for reliable data acquisition and control – offering automated test patterns, hands free data capture, flexibility in the test monitor display and printed reports.

PowerNet TD makes it easy to monitor and record speeds, torques, pressures, temperatures, flow and calculate efficiencies during manual and automatic testing. Create professional data reports; *PROOF* that your high-quality work is worth the price and *PEACE OF MIND* that your customers will be happy.



## Power Test - Your Full Service Manufacturer

AIDCO manufactures a wide range of hydraulic and transmission testing equipment, including electronic shift consoles, valve body test stands, and hydraulic test centers.



N60 W22700 Silver Spring Drive • Sussex, WI 53089 USA  
262-252-4301 • [www.powertestdyno.com](http://www.powertestdyno.com) • [info@pwrst.com](mailto:info@pwrst.com)