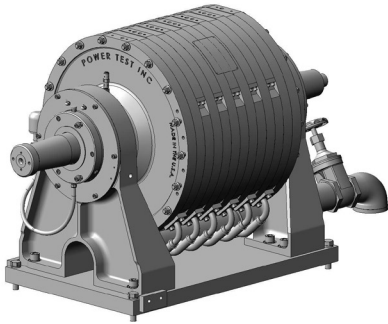


Water Brake Engine Dynamometers - 35X-Series



73505.06 35X06 Water Brake Engine Dynamometer Shown

Overview

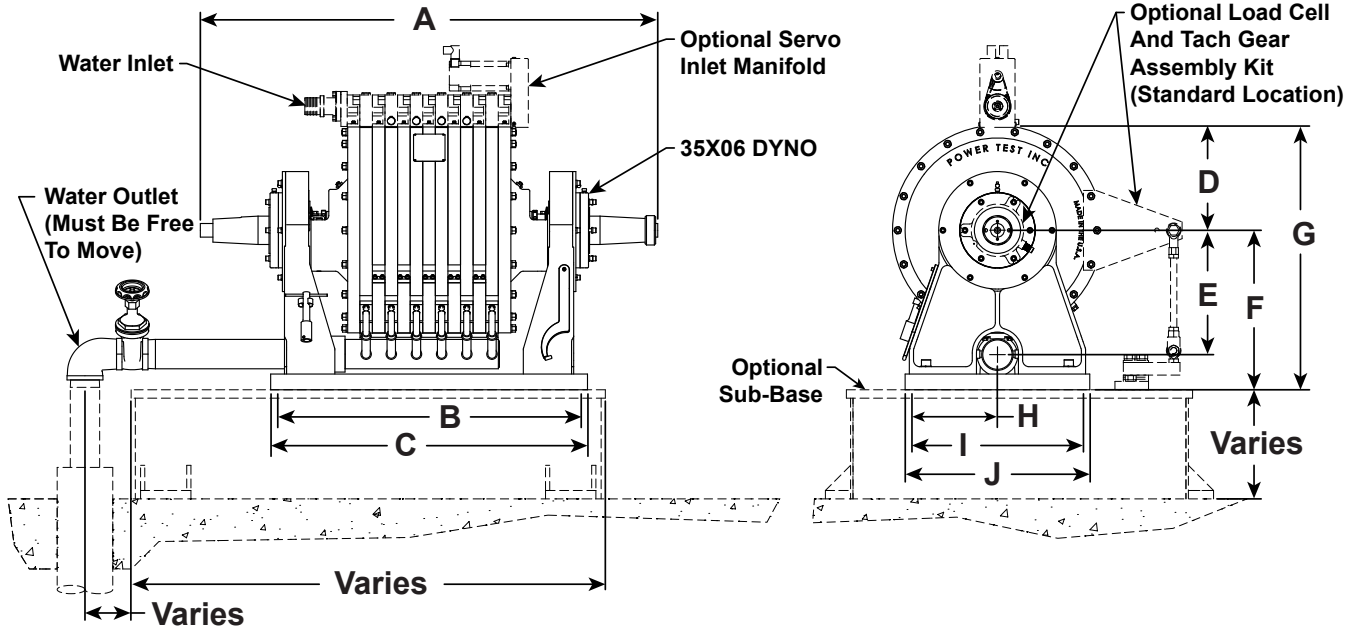
Power Test 35X-Series Water Brake Dynamometers are designed for testing construction, on-highway, mining, power generation and marine applications from 100 HP to 2,100 HP at speeds up to 4,000 RPM.

The 35X-Series Water Brake Engine Dynamometers feature:

- The ability to test a wide range of engine displacements on the same dynamometer.
- Low-inertia and high absorption characteristics in a compact package.
- Through-shaft design allows either end of the dynamometer to be driven and to accept additional dynamometers in tandem plus a variety of accessories including starting systems.
- Inlet control allows for low minimum horsepower.
- Low minimum loading characteristics
- Equal absorption capabilities in either direction of rotation.
- Adjustable absorber seals.
- Removable bearing and seal housings to facilitate field servicing without the need for disassembly of the absorber.
- Equipped with grease-lubricated high-speed bearings.

These trunnion-mounted, fixed-base Water Brake Engine Dynamometers may be used for continuous-duty engine power verification, quality assurance, endurance, and certification testing.

Water Brake Engine Dynamometers - 35X-Series



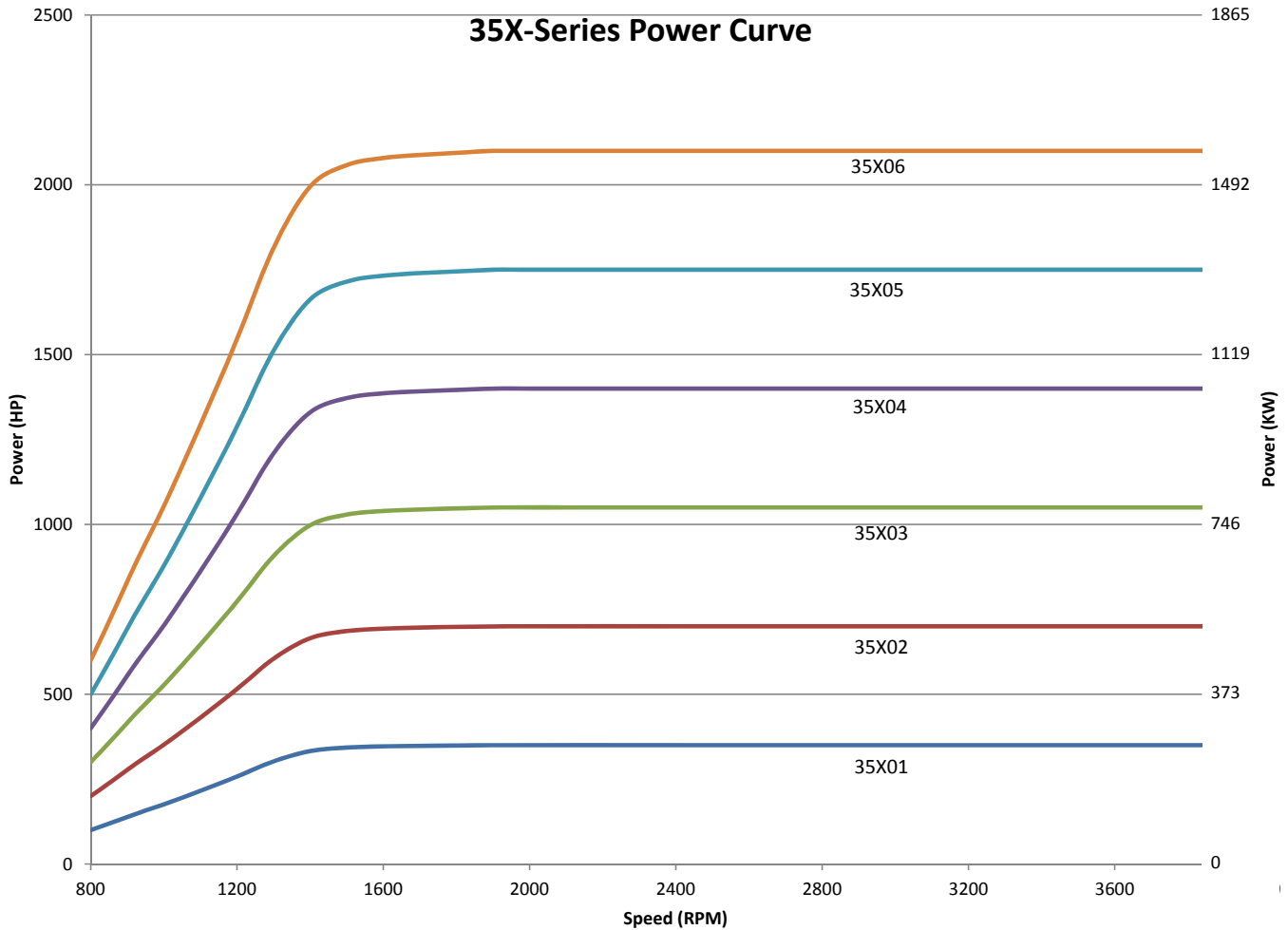
| Description | Part # | Dimensions (inches) | | | | | | | | | | Weight (lbs) | Inertia (lb-ft ²) | |
|-------------------|----------|---------------------|----|--------|--------|----|----|--------|--------|--------|----|--------------|-------------------------------|-------|
| | | A | B | C | D | E | F | G | H | I | J | | | |
| 35X01 Water Brake | 73505.01 | 39 1/2 | 21 | 22 3/4 | | | | | | | | | 1,385 | 33.4 |
| 35X02 Water Brake | 73505.02 | 42 1/2 | 24 | 25 3/4 | | | | | | | | | 1,655 | 65.8 |
| 35X03 Water Brake | 73505.03 | 45 1/2 | 27 | 28 3/4 | 12 1/2 | 15 | 19 | 31 1/2 | 10 1/8 | 20 1/4 | 22 | | 1,929 | 98.1 |
| 35X04 Water Brake | 73505.04 | 48 1/2 | 30 | 31 3/4 | | | | | | | | | 2,239 | 130.4 |
| 35X05 Water Brake | 73505.05 | 51 1/2 | 33 | 34 3/4 | | | | | | | | | 2,514 | 162.8 |
| 35X06 Water Brake | 73505.06 | 54 1/2 | 36 | 37 3/4 | | | | | | | | | 2,790 | 195 |

| Description | Part # | Dimensions (cm) | | | | | | | | | | Weight (kg) | Inertia (kg m ²) | |
|-------------------|----------|-----------------|------|------|------|------|------|----|------|------|------|-------------|------------------------------|------|
| | | A | B | C | D | E | F | G | H | I | J | | | |
| 35X01 Water Brake | 73505.01 | 100.3 | 53.3 | 57.8 | | | | | | | | | 628 | 1.41 |
| 35X02 Water Brake | 73505.02 | 108 | 61 | 65.4 | | | | | | | | | 750 | 2.78 |
| 35X03 Water Brake | 73505.03 | 115.6 | 68.6 | 73 | 31.8 | 38.1 | 48.3 | 80 | 25.7 | 51.4 | 55.9 | | 875 | 4.14 |
| 35X04 Water Brake | 73505.04 | 123.2 | 76.2 | 80.7 | | | | | | | | | 1,016 | 5.50 |
| 35X05 Water Brake | 73505.05 | 130.8 | 83.8 | 88.3 | | | | | | | | | 1,140 | 6.87 |
| 35X06 Water Brake | 73505.06 | 138.4 | 91.4 | 96 | | | | | | | | | 1,265 | 8.23 |



N60 W22700 Silver Spring Drive • Sussex, WI 53089 USA
 phone: (262) 252-4301 • fax: (262) 246-0436
www.pwrst.com

Water Brake Engine Dynamometers - 35X-Series

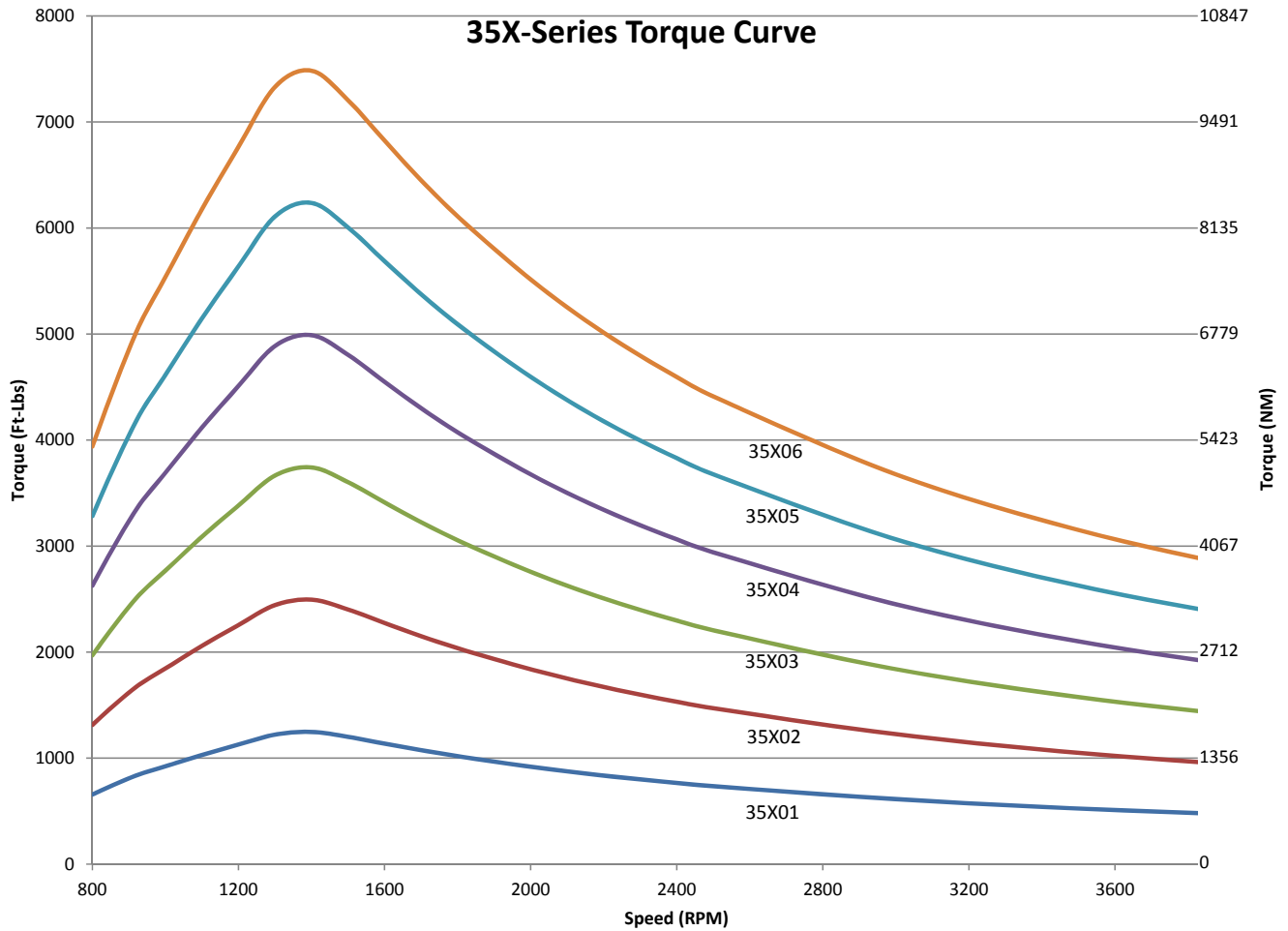


| RPM | Power - HP (KW) | | | | | |
|-------|-----------------|-----------|-------------|---------------|---------------|---------------|
| | 35X01 | 35X02 | 35X03 | 35X04 | 35X05 | 35X06 |
| 800 | 100 (75) | 200 (149) | 300 (224) | 400 (298) | 500 (373) | 600 (447) |
| 1,000 | 176 (131) | 351 (262) | 527 (393) | 703 (524) | 879 (655) | 1,054 (786) |
| 1,200 | 258 (192) | 515 (384) | 773 (576) | 1,030 (768) | 1,288 (960) | 1,546 (1,153) |
| 1,400 | 333 (248) | 665 (496) | 998 (744) | 1,330 (992) | 1,663 (1,240) | 1,995 (1,488) |
| 1,500 | 343 (256) | 686 (512) | 1,029 (767) | 1,372 (1,023) | 1,715 (1,279) | 2,058 (1,535) |
| 2,000 | 350 (261) | 700 (522) | 1,050 (783) | 1,400 (1,044) | 1,750 (1,305) | 2,100 (1,566) |
| 2,500 | 350 (261) | 700 (522) | 1,050 (783) | 1,400 (1,044) | 1,750 (1,305) | 2,100 (1,566) |
| 3,000 | 350 (261) | 700 (522) | 1,050 (783) | 1,400 (1,044) | 1,750 (1,305) | 2,100 (1,566) |
| 3,500 | 350 (261) | 700 (522) | 1,050 (783) | 1,400 (1,044) | 1,750 (1,305) | 2,100 (1,566) |
| 4,000 | 350 (261) | 700 (522) | 1,050 (783) | 1,400 (1,044) | 1,750 (1,305) | 2,100 (1,566) |



N60 W22700 Silver Spring Drive • Sussex, WI 53089 USA
 phone: (262) 252-4301 • fax: (262) 246-0436
www.pwrtst.com

Water Brake Engine Dynamometers - 35X-Series



| RPM | Torque - Lb-Ft (NM) | | | | | |
|-------|---------------------|---------------|---------------|---------------|---------------|----------------|
| | 35X01 | 35X02 | 35X03 | 35X04 | 35X05 | 35X06 |
| 800 | 657 (890) | 1,313 (1,780) | 1,970 (2,670) | 2,626 (3,560) | 3,283 (4,450) | 3,939 (5341) |
| 1,000 | 923 (1,251) | 1,846 (2,520) | 2,768 (3,753) | 3,691 (5,004) | 4,614 (6,256) | 5,537 (7,507) |
| 1,200 | 1,127 (1,529) | 2,255 (3,057) | 3,382 (4,586) | 4,510 (6,114) | 5,637 (7,643) | 6,765 (9,172) |
| 1,400 | 1,247 (1,691) | 2,495 (3,382) | 3,742 (5,074) | 4,989 (6,765) | 6,237 (8,456) | 7,484 (10,147) |
| 1,500 | 1,201 (1,628) | 2,402 (3,257) | 3,603 (4,885) | 4,804 (6,513) | 6,005 (8,141) | 7,206 (9,770) |
| 2,000 | 919 (1,246) | 1,838 (2,492) | 2,757 (3,738) | 3,676 (4,985) | 4,596 (6,231) | 5,515 (7,477) |
| 2,500 | 735 (997) | 1,471 (1,994) | 2,206 (2,991) | 2,941 (3,988) | 3,676 (4,985) | 4,412 (5,981) |
| 3,000 | 613 (831) | 1,225 (1,662) | 1,838 (2,492) | 2,451 (3,323) | 3,064 (4,154) | 3,676 (4,985) |
| 3,500 | 525 (712) | 1,050 (1,424) | 1,576 (2,136) | 2,101 (2,848) | 2,626 (3,560) | 3,151 (4,272) |
| 4,000 | 460 (623) | 919 (1,246) | 1,379 (1,869) | 1,838 (2,492) | 2,298 (3,115) | 2,757 (3,738) |

Power Test, Inc. manufactures a wide range of standard and custom water brake engine dynamometers. For absorption characteristics other than the model shown, please contact your Power Test representative.



N60 W22700 Silver Spring Drive • Sussex, WI 53089 USA
 phone: (262) 252-4301 • fax: (262) 246-0436
www.pwrst.com