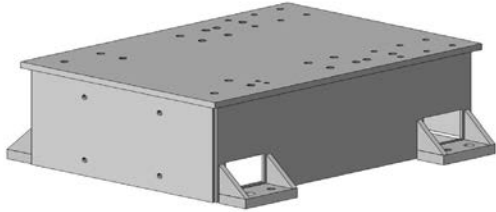


# Fabricated Steel Sub-base - PTX-Series

## 28" (711mm) Centerline Height



63226 28" Centerline Height Sub-base Shown

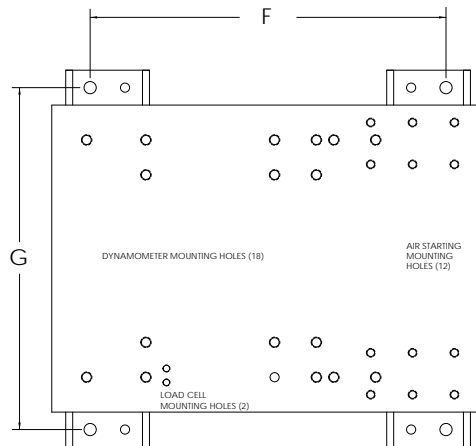
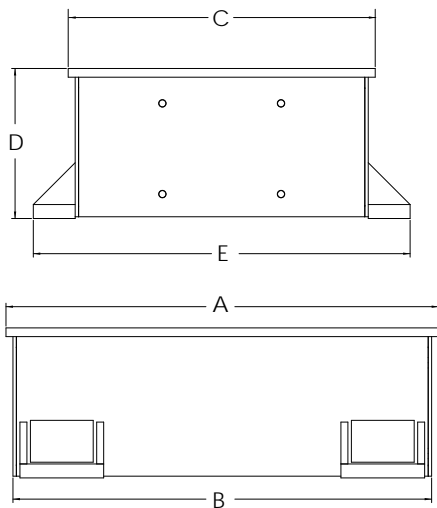
### Overview

The Power Test Sub-base is a common mounting platform for the dynamometer and accessories. It provides the correct dynamometer centerline height relative to the centerline height of the engine on a cart.

Sub-bases:

- Precision machined mounting surface
- Accomodate mounting of the dynamometer, optional starting system, and accessories
- Are available in standard and custom sizes to accommodate a variety of engine centerline heights

Power Test Sub-bases are fabricated from structural steel, stress relieved and machined. External mounting feet to facilitate mounting and leveling are standard.



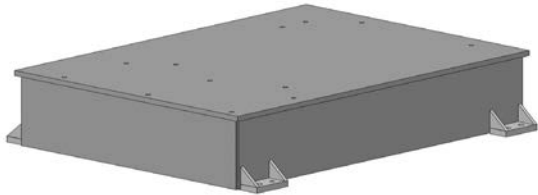
Description	Part #	Dimensions - inches (mm)							Weight lbs (kg)
		A	B	C	D	E	F	G	
Sub-base - PTX - 28CL	63226	31 (788)	30 (762)	22 (589)	10 3/4 (273)	27 (686)	25 1/2 (648)	24 1/2 (623)	285 (130)



N60 W22700 Silver Spring Drive • Sussex, WI 53089 USA  
 phone: (262) 252-4301 • fax: (262) 246-0436  
[www.pwrst.com](http://www.pwrst.com)

# Fabricated Steel Sub-base - 35X-Series

## 32" (813mm) Centerline Height



63141.06 32" Centerline Height Sub-base Shown

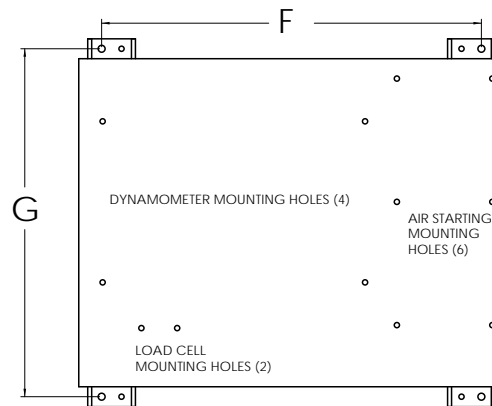
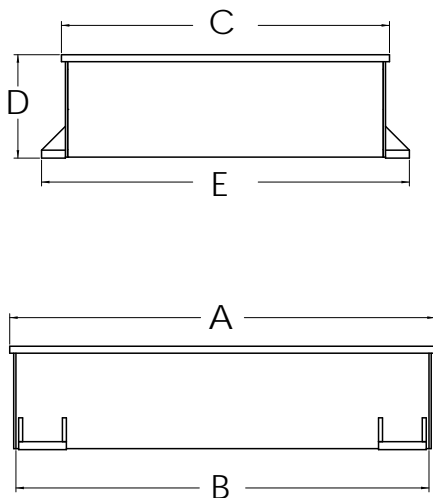
### Overview

The Power Test Sub-base is a common mounting platform for the dynamometer and accessories. It provides the correct dynamometer centerline height relative to the centerline height of the engine on a cart.

Sub-bases:

- Precision machined mounting surface
- Accomodate mounting of the dynamometer, optional starting system, and accessories
- Are available in standard and custom sizes to accommodate a variety of engine centerline heights

Power Test Sub-bases are fabricated from structural steel, stress relieved and machined. External mounting feet to facilitate mounting and leveling are standard.



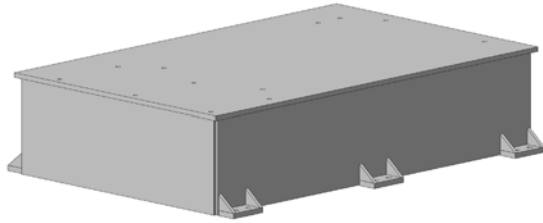
Description	Part #	Dimensions - inches (mm)							Weight lbs (kg)
		A	B	C	D	E	F	G	
Sub-base - 35X03 - 32CL	63141.03	47 1/2 (1207)	46 1/2 (1181)				41 3/4 (1061)		1,010 (459)
Sub-base - 35X04 - 32CL	63141.04	50 1/2 (1283)	49 1/2 (1258)	41 1/4 (1048)	13 (330)	46 1/4 (1175)	44 3/4 (1137)	43 3/4 (1111)	1,060 (481)
Sub-base - 35X05 - 32CL	63141.05	53 1/2 (1359)	52 1/2 (1334)				47 3/4 (1213)		1,110 (504)
Sub-base - 35X06 - 32CL	63141.06	56 1/2 (1435)	55 1/2 (1410)				50 3/4 (1289)		1,160 (527)



N60 W22700 Silver Spring Drive • Sussex, WI 53089 USA  
 phone: (262) 252-4301 • fax: (262) 246-0436  
[www.pwrst.com](http://www.pwrst.com)

# Fabricated Steel Sub-base - 45X-Series

## 32" (813mm) Centerline Height



63263.10 32" Centerline Height Sub-base Shown

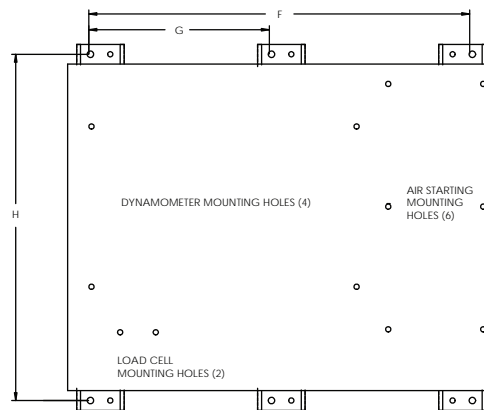
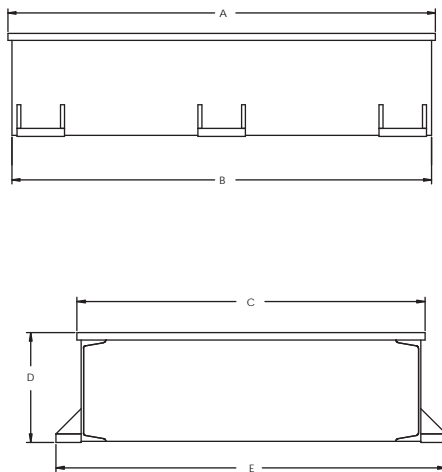
### Overview

The Power Test Sub-base is a common mounting platform for the dynamometer and accessories. It provides the correct dynamometer centerline height relative to the centerline height of the engine on a cart.

Sub-bases:

- Precision machined mounting surface
- Accomodate mounting of the dynamometer, optional starting system, and accessories
- Are available in standard and custom sizes to accommodate a variety of engine centerline heights

Power Test Sub-bases are fabricated from structural steel, stress relieved and machined. External mounting feet to facilitate mounting and leveling are standard.



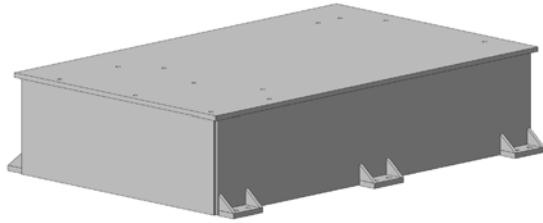
Description	Part #	Dimensions - inches (mm)								Weight lbs (kg)
		A	B	C	D	E	F	G	H	
Sub-base-45X06 - 32CL	63263.06	54 (1372)	53 (1346)	41 1/4 (1048)	13 (330)	46 1/4 (1175)	48 1/4 (1226)	22 7/8 (581)	43 3/4 (1111)	1,145 (520)
Sub-base-45X07 - 32CL	63263.07	57 (1448)	56 (1423)				51 1/4 (1302)	24 3/8 (619)		1,195 (542)
Sub-base-45X08 - 32CL	63263.08	60 (1524)	59 (1499)				54 1/4 (1378)	25 7/8 (658)		1,245 (565)
Sub-base-45X09 - 32CL	63263.09	63 (1600)	62 (1575)				57 1/4 (1454)	27 3/8 (708)		1,295 (588)
Sub-base-45X10 - 32CL	63263.10	66 (1677)	65 (1651)				60 1/4 (1531)	28 7/8 (734)		1,345 (610)



N60 W22700 Silver Spring Drive • Sussex, WI 53089 USA  
 phone: (262) 252-4301 • fax: (262) 246-0436  
[www.pwrst.com](http://www.pwrst.com)

# Fabricated Steel Sub Base - 35X-Series

## 38" (965mm) Centerline Height



63406.06 38" Centerline Height Sub-base Shown

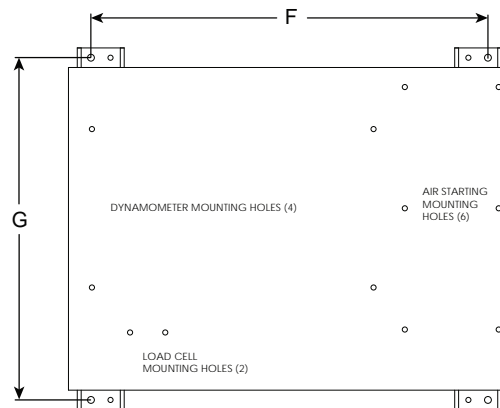
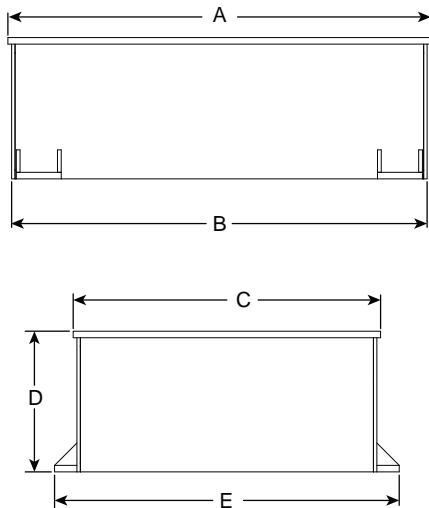
### Overview

The Power Test Sub-base is a common mounting platform for the dynamometer and accessories. It provides the correct dynamometer centerline height relative to the centerline height of the engine on a cart.

Sub-bases:

- Precision machined mounting surface
- Accomodate mounting of the dynamometer, optional starting system, and accessories
- Are available in standard and custom sizes to accommodate a variety of engine centerline heights

Power Test Sub-bases are fabricated from structural steel, stress relieved and machined. External mounting feet to facilitate mounting and leveling are standard.



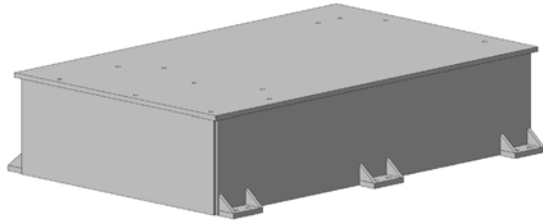
Description	Part #	Dimensions - inches (mm)							Weight lbs (kg)
		A	B	C	D	E	F	G	
Sub-base - 35X01 - 38CL	63406.01	41 1/2 (1054)	40 1/2 (1029)	41 1/4 (1048)	19 (483)	46 1/4 (1175)	35 3/4 (908)	43 3/4 (1112)	1,145 (520)
Sub-base - 35X02 - 38CL	63406.02	44 1/2 (1130)	43 1/2 (1105)				38 3/4 (985)		1,204 (546)
Sub-base - 35X03 - 38CL	63406.03	47 1/2 (1207)	46 1/2 (1181)				41 3/4 (1061)		1,263 (573)
Sub-base - 35X04 - 38CL	63406.04	50 1/2 (1283)	49 1/2 (1258)				44 3/4 (1137)		1,322 (600)
Sub-base - 35X05 - 38CL	63406.05	53 1/2 (1359)	52 1/2 (1080)				47 3/4 (1213)		1,381 (627)
Sub-base - 35X06 - 38CL	63406.06	56 1/2 (1435)	55 1/2 (1410)				50 3/4 (1289)		1,440 (653)



N60 W22700 Silver Spring Drive • Sussex, WI 53089 USA  
 phone: (262) 252-4301 • fax: (262) 246-0436  
[www.pwrst.com](http://www.pwrst.com)

# Fabricated Steel Sub Base - 45X-Series

## 38" (965mm) Centerline Height



63191.10 38" Centerline Height Sub-base Shown

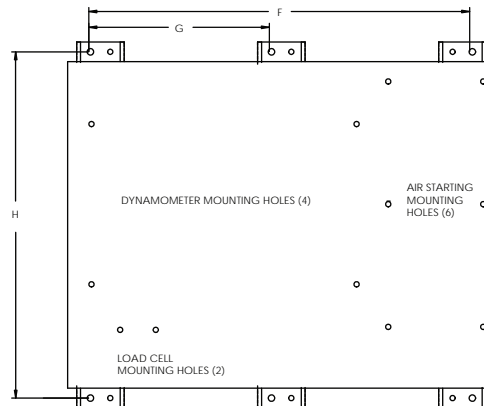
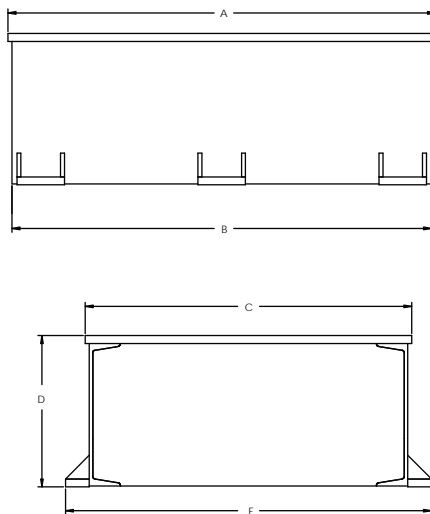
### Overview

The Power Test Sub-base is a common mounting platform for the dynamometer and accessories. It provides the correct dynamometer centerline height relative to the centerline height of the engine on a cart.

Sub-bases:

- Precision machined mounting surface
- Accomodate mounting of the dynamometer, optional starting system, and accessories
- Are available in standard and custom sizes to accommodate a variety of engine centerline heights

Power Test Sub-bases are fabricated from structural steel, stress relieved and machined. External mounting feet to facilitate mounting and leveling are standard.



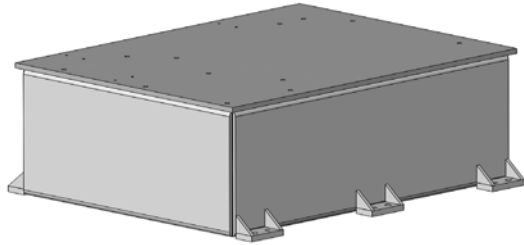
Description	Part #	Dimensions - inches (mm)								Weight lbs (kg)
		A	B	C	D	E	F	G	H	
Sub-base-45X06 - 38CL	63191.06	54 (1372)	53 (1346)	41 1/4 (1048)	19 (483)	46 1/4 (1175)	48 1/4 (1226)	22 7/8 (581)	43 3/4 (1111)	1,697 (770)
Sub-base-45X07 - 38CL	63191.07	57 (1448)	56 (1423)				51 1/4 (1302)	24 3/8 (619)		1,767 (802)
Sub-base-45X08 - 38CL	63191.08	60 (1524)	59 (1499)				54 1/4 (1378)	25 7/8 (658)		1,818 (825)
Sub-base-45X09 - 38CL	63191.09	63 (1600)	62 (1575)				57 1/4 (1454)	27 3/8 (708)		1,869 (848)
Sub-base-45X10 - 38CL	63191.10	66 (1677)	65 (1651)				60 1/4 (1531)	28 7/8 (734)		1,920 (871)



N60 W22700 Silver Spring Drive • Sussex, WI 53089 USA  
 phone: (262) 252-4301 • fax: (262) 246-0436  
[www.pwrst.com](http://www.pwrst.com)

# Fabricated Steel Sub Base - 45X-Series

## 42" (1067mm) Centerline Height



73442.06 42" Centerline Height Sub-base Shown

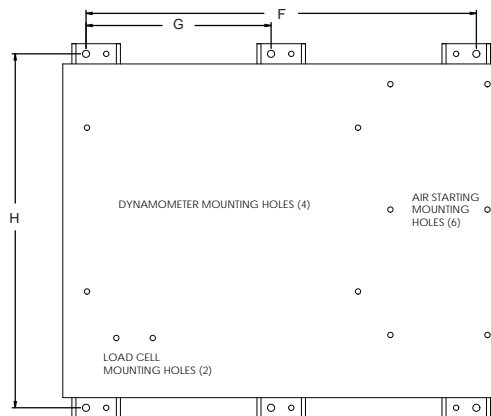
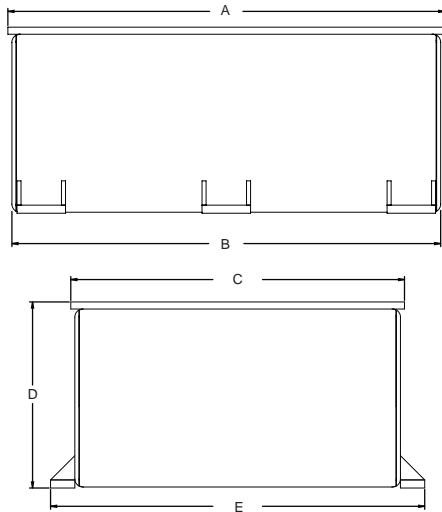
### Overview

The Power Test Sub-base is a common mounting platform for the dynamometer and accessories. It provides the correct dynamometer centerline height relative to the centerline height of the engine on a cart.

Sub-bases:

- Precision machined mounting surface
- Accomodate mounting of the dynamometer, optional starting system, and accessories
- Are available in standard and custom sizes to accommodate a variety of engine centerline heights

Power Test Sub-bases are fabricated from structural steel, stress relieved and machined. External mounting feet to facilitate mounting and leveling are standard.



Description	Part #	Dimensions (inches)								Weight (lbs)
		A	B	C	D	E	F	G	H	
Sub-base-45X06 - 42CL	73442.06	54 (1372)	53 (1346)				48 1/4 (1226)	22 7/8 (581)		1,634 (741)
Sub-base-45X07 - 42CL	73442.07	57 (1448)	56 (1423)				51 1/4 (1302)	24 3/8 (619)		1,707 (775)
Sub-base-45X08 - 42CL	73442.08	60 (1524)	59 (1499)				54 1/4 (1378)	25 7/8 (658)		1,768 (802)
Sub-base-45X09 - 42CL	73442.09	63 (1600)	62 (1575)	41 1/4 (1048)	23 (584)	46 1/4 (1175)	57 1/4 (1454)	27 3/8 (708)	43 3/4 (1111)	1,838 (834)
Sub-base-45X10 - 42CL	73442.10	66 (1677)	65 (1651)				60 1/4 (1531)	28 7/8 (734)		1,892 (859)
Sub-base-45X11 - 42CL	73442.11	69 (1753)	68 (1727)				63 1/4 (1607)	30 3/8 (772)		1,970 (894)
Sub-base-45X12 - 42CL	73442.12	72 (1829)	71 (1804)				66 1/4 (1683)	31 7/8 (810)		2,038 (925)



N60 W22700 Silver Spring Drive • Sussex, WI 53089 USA  
 phone: (262) 252-4301 • fax: (262) 246-0436  
[www.pwrst.com](http://www.pwrst.com)