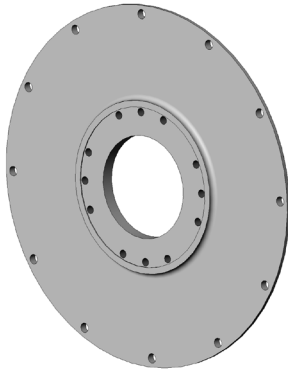
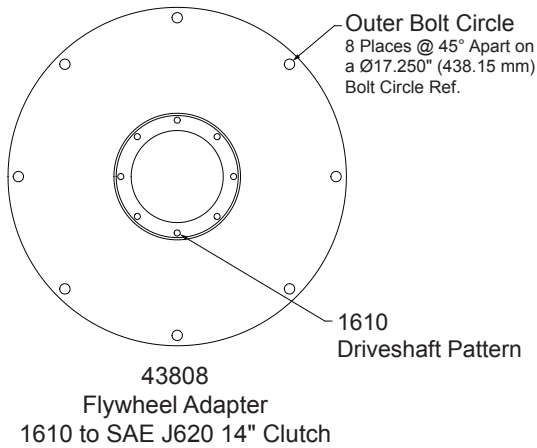


Flywheel Adapters



43648 Flywheel Adapter (SAE J1857) 15.5 to 1810 shown



Overview

Power Test offers a variety of custom-machined Flywheel Adapters. The adapter is connected directly to the engine flywheel and provides an interface for the driveshaft coming from an Dynamometer-Mounted Torsionally Resilient Coupling.

Flywheel Adapters:

- Available for many popular engines.
- Adapt to SAE 1810 or 1610 driveshafts.
- Many adapters are in-stock and ready for same-day shipment.
- Used in conjunction with Dyno-Mounted Torsionally Resilient Coupling.

Flywheel Adapters Blanks are available with driveshaft pattern already provided. They can be finish machine to a specific flywheel bolt pattern to match your needs.

Description	Part #	Drive Shaft		Outer Bolt Circle Diameter inches (mm)	SAE Flywheel Pattern	Clutch Size inches (mm)	Weight lbs (kg)
		1810	1610				
Flywheel Adapter	43695	X		15.5 (393.7)	J618	14 (355.6)	23 (10)
Flywheel Adapter	43648	X		16.625 (422.275)	J1857	15.5 (393.7)	28 (12)
Flywheel Adapter	43908	X		17.25 (438.15)	J620	14 (355.6)	29 (13)
Flywheel Adapter	43909	X		25.25 (641.35)	J620	21 (533.4)	60 (27)
Flywheel Adapter	43808		X	17.25 (438.15)	J620	14 (355.6)	28 (12)
Flywheel Adapter	43682		X	15.5 (393.7)	J618	14 (355.6)	21 (9)
Flywheel Adapter	43681		X	16.625 (422.275)	J1857	15.5 (393.7)	24 (11)
Flywheel Adapter	43731		X	15.875 (403.225)	J618	15 (381) - POT Type	22 (10)
Flywheel Adapter Blank	43712		X	-	-	12 (304.8)	17 (7)
Flywheel Adapter Blank	43711		X	-	-	14 (355.6)	21 (9)
Flywheel Adapter Blank	43710		X	-	-	15.5 (393.7)	25 (11)



N60 W22700 Silver Spring Drive • Sussex, WI 53089 USA
 phone: (262) 252-4301 • fax: (262) 246-0436
www.pwrst.com