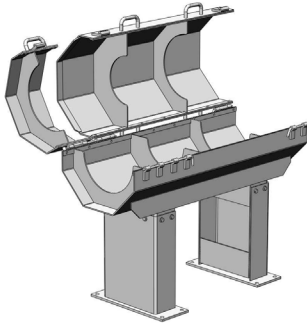


# H36-Series Drive Shaft Guard



73266 H36-Series Drive Shaft Guard shown

## Overview

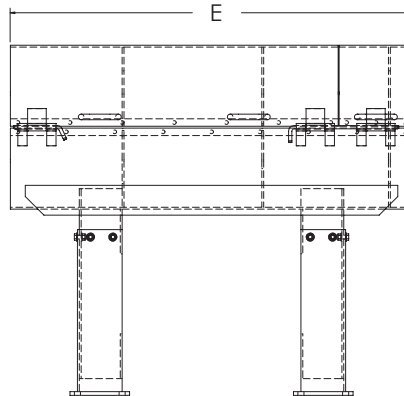
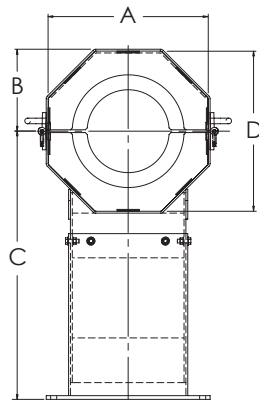
Drive Shaft Guards are available from Power Test to meet any engine-to-dynamometer connection application.

The purpose of the guard is to reduce the potential for operator contact with the drive shaft during testing. It is also used to help contain the drive shaft components in the event of a catastrophic failure, thereby minimizing damage in the test cell.

Power Test guards:

- Feature hinged covers to allow access to the drive shaft.
- Center line height can be adjusted during installation.
- Are constructed of heavy gauge steel.
- Optional Guard Cover Stop Bracket Kit will stop covers at approx. 90° open.

Designed for use with Power Test universal joint (Cardan shaft) drive shafts, a guard is required whenever connecting an engine or motor to any dynamometer.

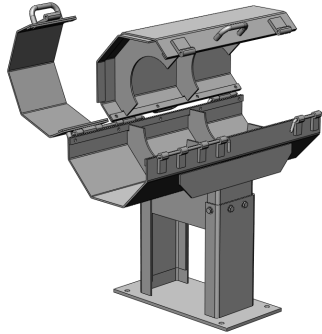


Description	Part #	Dimensions - inches (mm)					Weight lbs (kg)
		A	B	C min/max	D	E	
Drive Shaft Guard - H36-Series	73266	21 1/2 (546)	11 (280)	35/50 (889/1270)	21 1/2 (546)	54 (1372)	640 (290)
Drive Shaft Guard w/Stop Kit - H36-Series	1014323	21 1/2 (546)	11 (280)	35/50 (889/1270)	21 1/2 (546)	54 (1372)	654 (297)



N60 W22700 Silver Spring Drive • Sussex, WI 53089 USA  
 phone: (262) 252-4301 • fax: (262) 246-0436  
[www.pwrtst.com](http://www.pwrtst.com)

# Drive Shaft Guard - X-Series



73177 X-Series Drive Shaft Guard shown

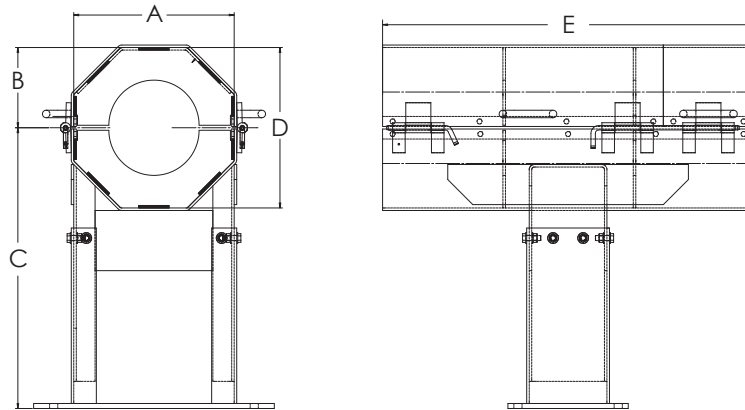
## Overview

The Power Test Drive Shaft Guard is used to reduce the potential for operator contact with the drive shaft during testing. It is also used to help contain the drive shaft components in the event of a catastrophic failure, thereby minimizing damage in the test cell.

### Drive Shaft Guards:

- Feature hinged covers to allow access to the drive shaft.
- Center line height can be adjusted during installation.
- Are constructed of heavy gauge steel.
- Optional Guard Cover Stop Bracket Kit will stop covers at approx. 90° open.

Designed for use with Power Test universal joint (Cardan shaft) drive shafts, a Drive Shaft Guard is required whenever connecting an engine or motor to any dynamometer.

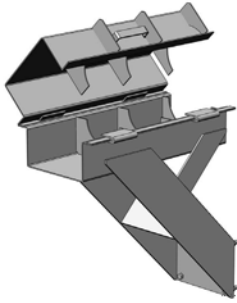


Description	Part #	Dimensions - inches (mm)					Weight lbs (kg)
		A	B	C min/max	D	E	
Drive Shaft Guard - X-Series	73177	16 (406)	8 (203)	26/39 (660/990)	16 (406)	37 (940)	310 (141)
Drive Shaft Guard w/Stop Kit - X-Series	1014316	16 (406)	8 (203)	26/39 (660/990)	16 (406)	37 (940)	324 (147)
Drive Shaft Guard 36-49in CL	73177.2	16 (406)	8 (203)	36/49 (914/1245)	16 (406)	37 (940)	340 (154)



N60 W22700 Silver Spring Drive • Sussex, WI 53089 USA  
 phone: (262) 252-4301 • fax: (262) 246-0436  
[www.pwrtst.com](http://www.pwrtst.com)

# PTX-Series Drive Shaft Guard



23480 PTX-Series Drive Shaft Guard shown

## Overview

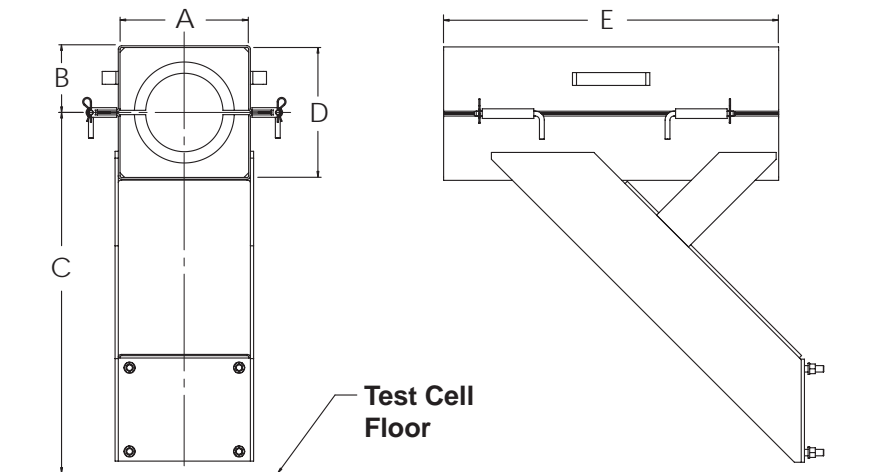
Drive Shaft Guards are available from Power Test to meet any engine-to-dynamometer connection application.

The purpose of the guard is to reduce the potential for operator contact with the drive shaft during testing. It is also used to help contain the drive shaft components in the event of a catastrophic failure, thereby minimizing damage in the test cell.

Power Test guards:

- Features a hinged cover to allow access to the drive shaft.
- Are constructed of heavy gauge steel.

Designed for use with Power Test universal joint (Cardan shaft) drive shafts, a guard is required whenever connecting an engine or motor to any dynamometer.



Description	Part #	Dimensions - inches (mm)					Weight lbs (kg)
		A	B	C min/max	D	E	
Drive Shaft Guard - PTX-Series	23480	10 (254)	5 (127)	28/28 (711/711)	10 (254)	26 (660)	115 (52)



N60 W22700 Silver Spring Drive • Sussex, WI 53089 USA  
 phone: (262) 252-4301 • fax: (262) 246-0436  
[www.pwrtst.com](http://www.pwrtst.com)