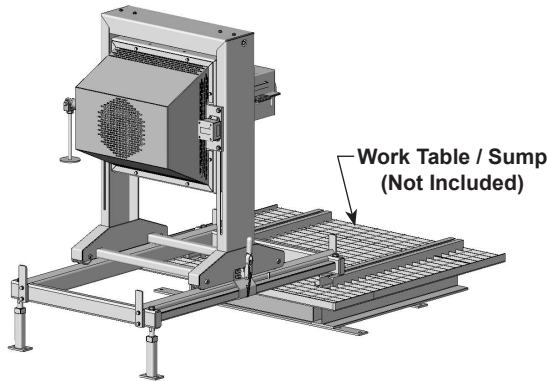


Eddy Current Load Unit - 535473



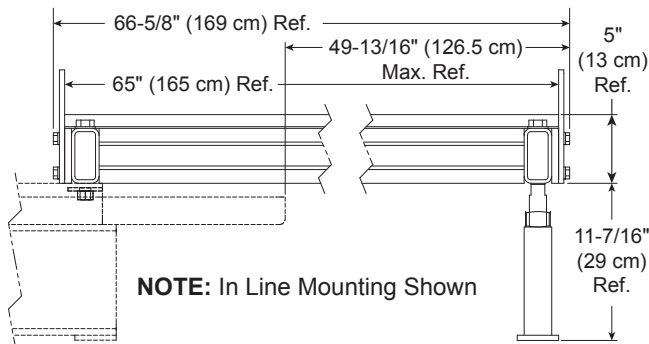
535473.1 - Eddy Current Load Unit Add On For Model 900/900C Transmission Test Stand shown

Overview

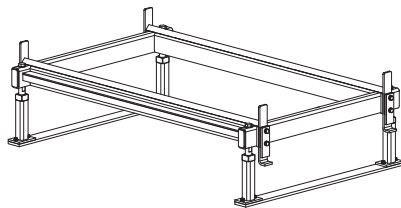
The AIDCO Eddy Current Load Unit connects to a transmission output to apply a load simulating actual operation conditions.

Eddy Current Load Unit:

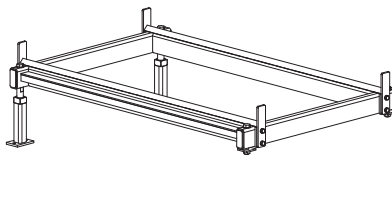
- Can be maneuvered horizontally and vertically and locks into position.
- Output adapts to a standard drive shaft resulting in fast, simple, quiet connection to the load unit.
- Capable of 525 Ft-Lbs. (712 Nm) continuous and 1,470 Ft-Lbs. (1,993 Nm) intermittent braking torque (larger unit is available on request).
- Includes manual Stall Bar to measure the amount of output torque developed by the unit under test. Optional Air Brake Stall Kit is available.
- All kits include Transformer, Power Supply, Controls, and Speed and Torque Indicators.



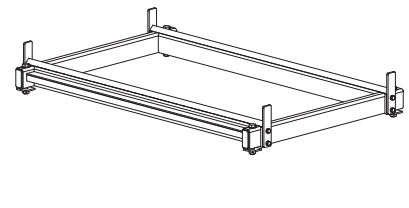
The AIDCO Eddy Current Load Unit is used in conjunction with the AIDCO family of test stands.



On Edge Mounting



In Line Mounting



On Rail Mounting

Description	Part #	Mounting Options			Weight Lbs. (Kg)
		On Edge	In Line	On rail	
Eddy Current Load - 900/900C	535473.1		✓	✓	2,000 (907)
Eddy Current Load - 850	535473.2	✓	✓	✓	2,090 (948)
Dual Eddy Current Load - 850M	535473.4	✓	✓	✓	3,700 (1,678)



N60 W22700 Silver Spring Drive • Sussex, WI 53089 USA
 phone: (262) 252-4301 • fax: (262) 246-0436
www.pwrst.com