

# Cooling Column Hose Interconnect Kit



**NOTE:** For clarity not all hoses and accessories are being shown.

73095.2 Cooling Column Hose Interconnect Kit shown

## Overview

Power Test Cooling Column Hose Interconnect Kit is used to connect the Cooling Column or After Cooling Column to the engine being tested.

Cooling Column Hose Interconnect Kit:

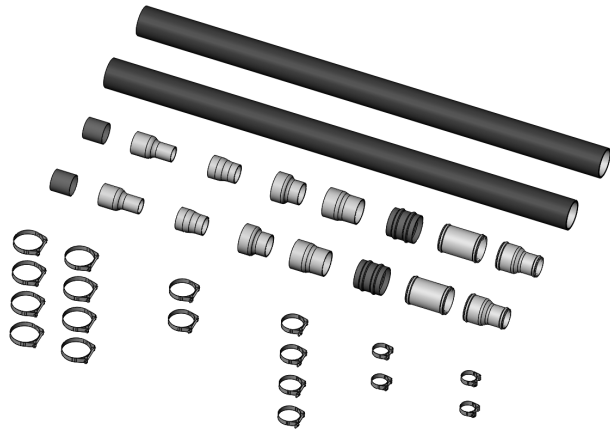
- Cooling Column Hose Kit - PTX (1 to 3):
  - Includes one (1) each interconnect hose sizes X 10' long: 1.00", and 2.00";
  - two (2) each interconnect hose sizes X 3' long: 1.75", 2.125", 2.25", 2.375", 2.5", 2.625", 2.75", 3.0", and hose rack.
  - (Note: inside diameter listed).
- Cooling Column Hose Kit (1 ½ to 4 ½):
  - Includes two (2) each interconnect hose sizes X 3' long: 1.5", 1.625", 1.75", 1.88", 2.0", 2.125", 2.25", 2.38", 2.5", 2.62", 2.75", 2.88", 3.0", 3.25", 3.5", 3.75", 4.0", and 4.5".
  - (Note: inside diameter listed).
- Cooling Column Hose Kit (2 to 6):
  - Includes two (2) each interconnect hose sizes X 3' long: 2.0", 2.125", 2.25", 2.38", 2.5", 2.62", 2.75", 2.88", 3.0", 3.25", 3.5", 3.75", 4.0", 4.5", 5.0", 5.5", and 6.0".
  - (Note: inside diameter listed).
- Hose Kits Include:
  - T-bolt style hose clamps 4 for each interconnect hose (2 each end).
  - Hose quick coupling adapter for each interconnect hose size.
  - Non-PTX kits include two (2) each - cooling column to engine hoses. 4" diameter x 6' long. Quick-disconnect on one end, clamps on the other.
  - Aluminum Wye connection with quick-disconnects for dual cooling water return systems.
- Hose kits are rated to 212 °F (100 °C) and 30 PSI (207 kPa).
- Hose Storage Cabinets are available.

Description	Part #
Cooling Column Hose Kit - PTX (1 to 3)	63377.3
Cooling Column Hose Kit (1 ½ to 4 ½)	73095.2
Cooling Column Hose Kit (2 to 6)	73478



N60 W22700 Silver Spring Drive • Sussex, WI 53089 USA  
 phone: (262) 252-4301 • fax: (262) 246-0436  
[www.pwrst.com](http://www.pwrst.com)

# Charge Air Cooler Hose Interconnect Kit



1029989 Hose Kit - Charge Air Cooler shown

## Overview

Power Test High Temp. Charge Air Cooler Hose Interconnect Kit is used to connect the Charge Air Cooler System to an air to air after-cooled engine in the test cell.

Charge Air Cooler Hose Interconnect Kit:

- Charge Air Cooler Hose Kit Includes:
  - Two (2) each 4" (10 cm) diameter 4-ply reinforced silicone hoses X 72" (182 cm) or 144" (365 cm) long.
  - Two (2) each of the following reducers or adapters: 4x4, 4x3, Stepped silicone hose: 4x4, 4x3, 4x3.5, 3x2, 3x2.5 and 3x3.
  - Two (2) each T-bolt style hose clamps (range in inches): 1.87 x 2.38, 2.50 x 2.88, 3.50 x 4.00, four (4) each of 3.00 x 3.50, and eight (8) each of 4.00 x 4.50
- Hose kit is rated to 500 °F (260 °C) and 45 PSI (310 kPa).
- Designed for use with Power Test p/n 24235 or 24236 Charge Air Coolers.

Description	Part #	Hose Cut Length feet (meters)
Charge Air Cooler Hose Kit (6ft)	1029989	6 (1.8)
Charge Air Cooler Hose Kit (12ft)	1029948	12 (3.6)



N60 W22700 Silver Spring Drive • Sussex, WI 53089 USA  
phone: (262) 252-4301 • fax: (262) 246-0436  
[www.powertestdyno.com](http://www.powertestdyno.com)